

Letter of Explanation

1030 Wiers Rd. Edgewater, MD. 21037

Kristie Conway

Project Description

We are seeking approval to replace and relocate 2 mooring poles to accommodate a 12'w x 10'l boat lift, with less setbacks than required. The poles are 14' into the western setback or 1' of the western extended property line. All work is a max of 100' channel ward of the mean high-water line.

Hardship

Ms. Conway has a waterfront footage of 27'. The lot is undersized for her district. There is no design for a boat lift or slip that would not require a variance as the setbacks overlap by 3'. The mooring poles we are seeking to replace and relocate are currently 14' into the setback and will not be moving further into the setback, but the current layout cannot accommodate a boat lift. Please contact the number or email below with any questions or information.

Best,

Tim Glaser – 240-695-4930

tim@magnumlift.com

Boat Lifts Unlimited

1901 Betson Ct. Odenton, MD. 21113



Ramsay ~
Lake



Carbonaro
1028
Weirs Rd.
Edgewater, MD
21037

1030
Weirs Rd.
Edgewater, MD
21037

Heidler
1032
Weirs Rd.
Edgewater, MD
21037

Curry
1036
Weirs Rd.
Edgewater, MD
21037

Existing
Layout
1/2" = 10' Scale

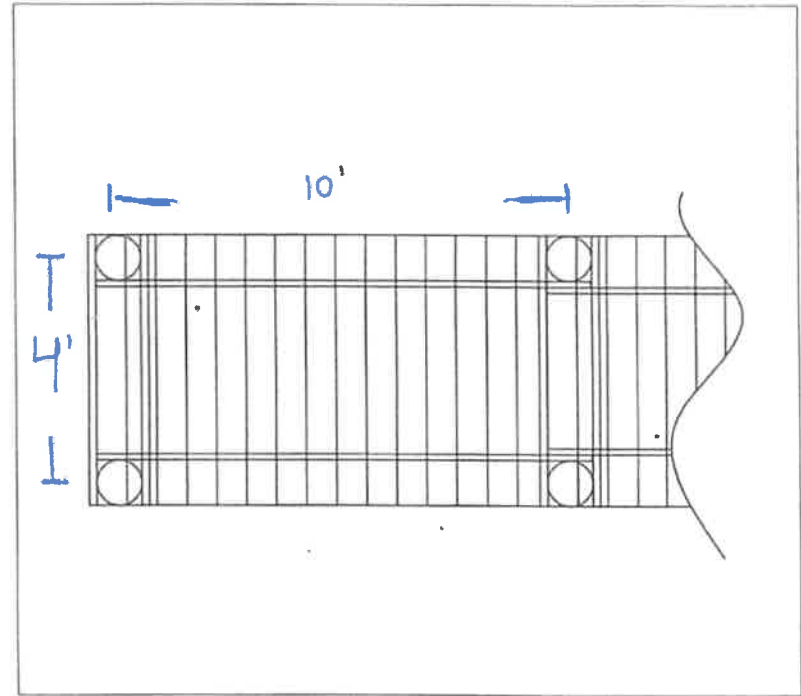
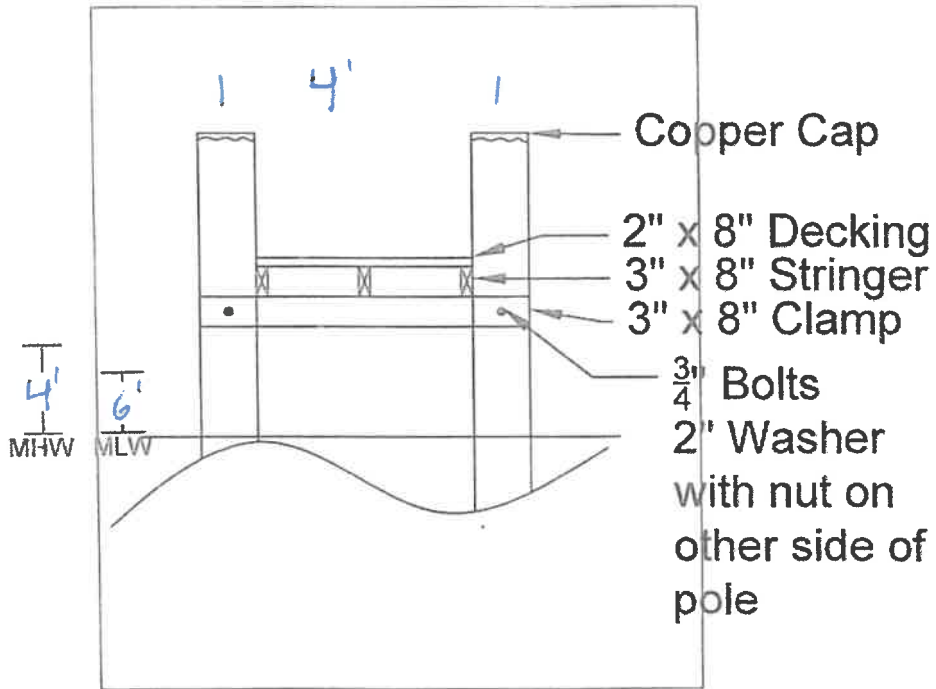
Kristie Conway
1030 Weirs Road
Edgewater, MD 21037
2/12/2024



Bamsay ~ Lake

Proposed
Layout
1:40 Scale

Kristie Conway
1030 Weirs Road
Edgewater, MD 21037
2/12/2024



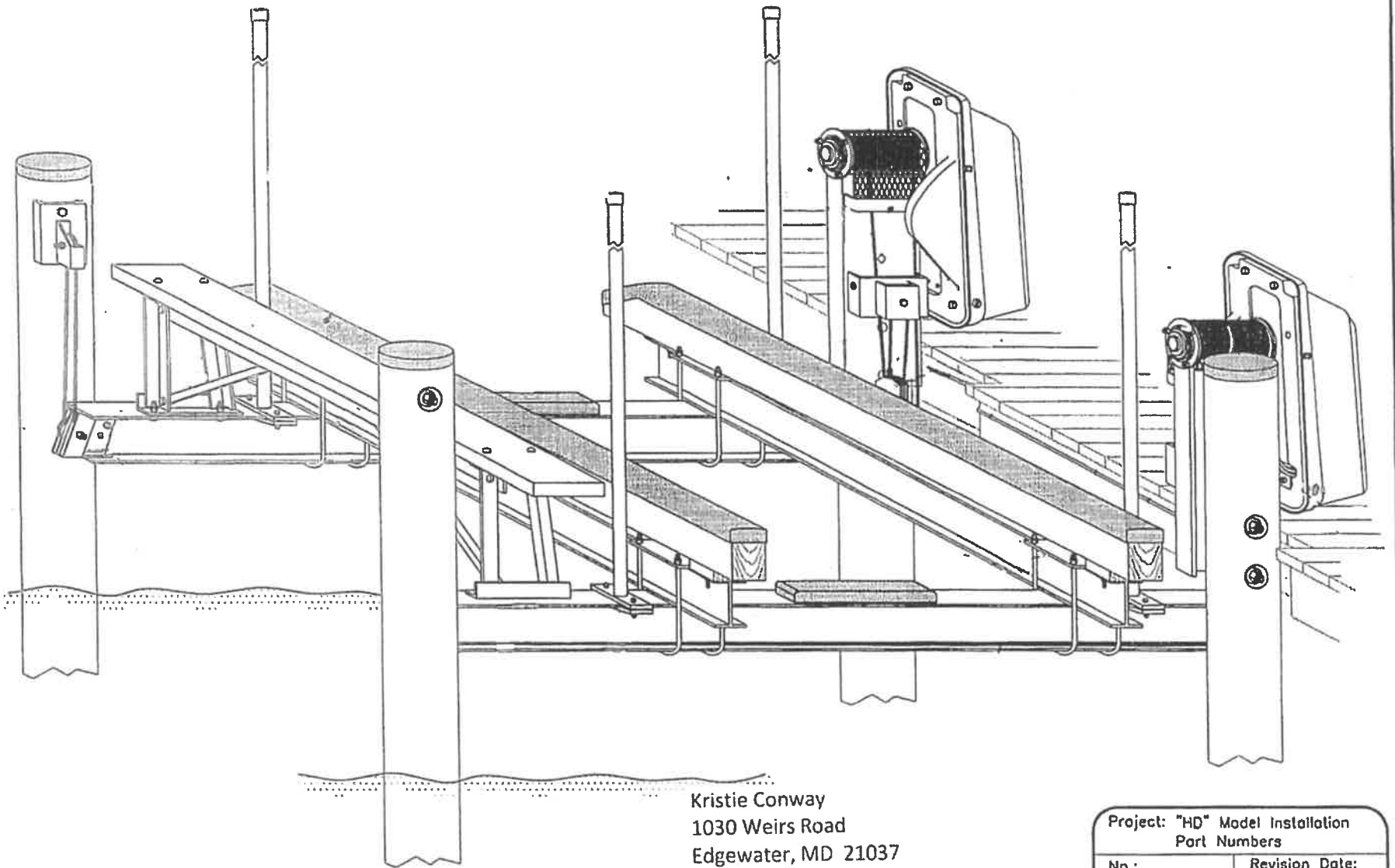
RIK 4'w x 105'L Pier

Kristie Conway
 1030 Weirs Road
 Edgewater, MD 21037
 2/12/2024

Boat Lifts Unlimited
 Platform Cross Section
 Not to Scale

GENERAL NOTES:

1. FOR LIST OF MATERIALS RELATED TO PART NUMBERS, SEE PARTS LIST.



Kristie Conway
1030 Weirs Road
Edgewater, MD 21037
2/12/2024

Project: "HD" Model Installation Part Numbers		
No.: 002	Revision Date:	
Scale: None	Date: 02-22-01	Sheet: 1 of 1

76°33'00"

Joins Map 5416

76°31'30"

70°23'00"

1
2
3
5
6
7
8
9



Kristie Conway
1030 Weirs Road
Edgewater, MD 21037
2/12/2024

Joins Map 5537

Kristie Conway
1030 Weirs Road
Edgewater, MD 21037
2/12/2024

